



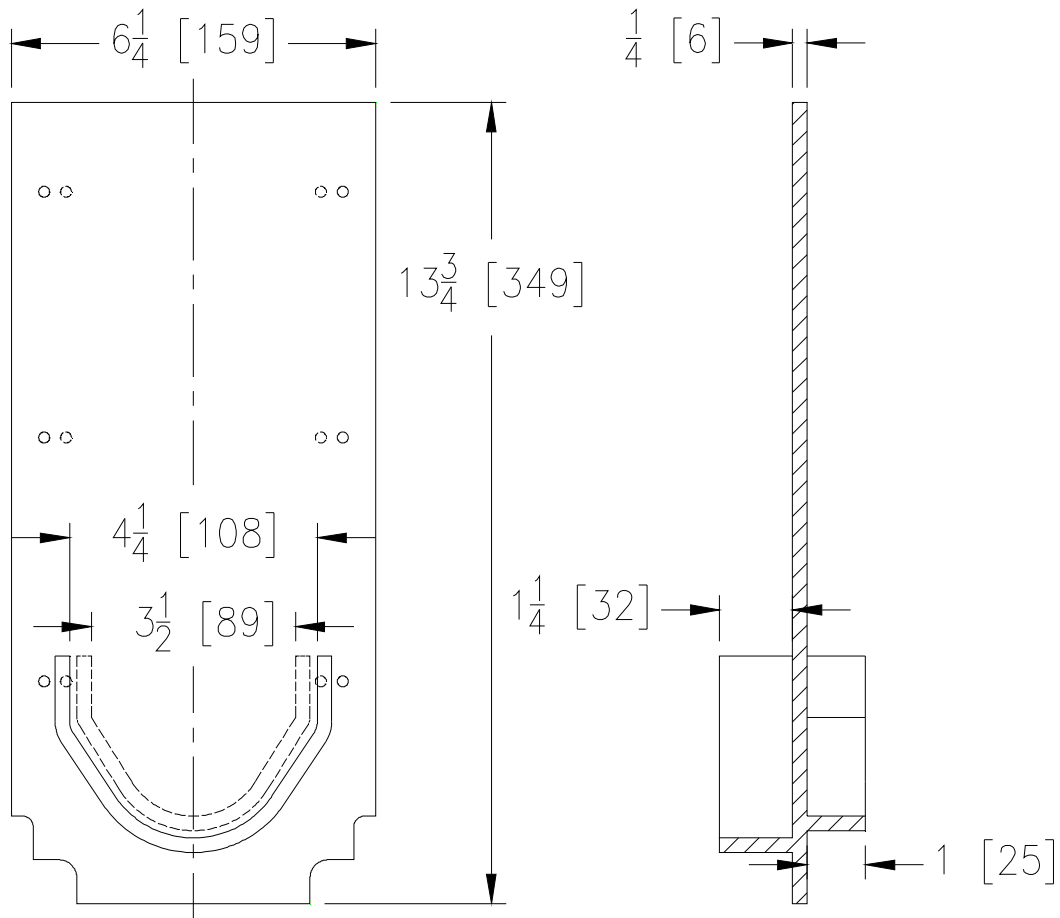
Z886
END/BOTTOM OUTLETS

TAG _____

Dimensional Data (inches and [mm]) are Subject to Manufacturing Tolerances and Change Without Notice

Please Check ✓	Item No.	Part Number	Item I.D.
	1	59895-001	P886-E1

ENGINEERING SPECIFICATION: ZURN Z886-E1
Closed End for 6" [152mm] wide Trench Drainage System.
Endcap is made of 1/4" [6mm] thick HDPE.
****Unit to be cut in field per channel depth.**



* Regularly furnished unless otherwise specified.



Z886
END/BOTTOM OUTLETS

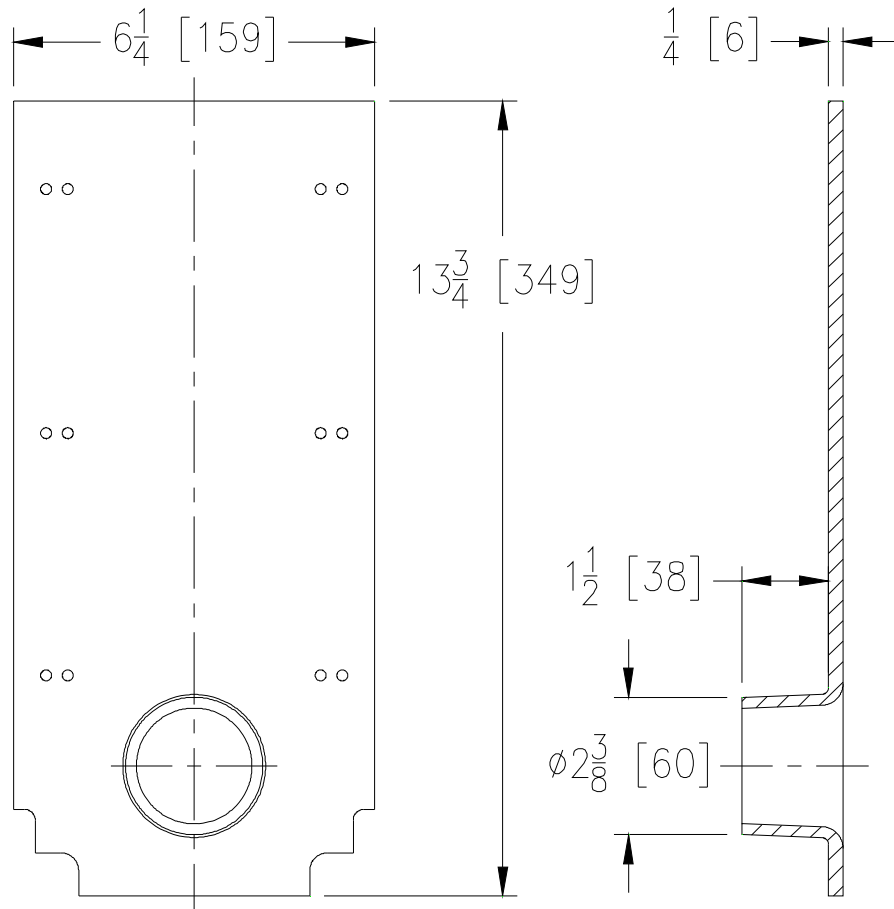
Dimensional Data (inches and [mm]) are Subject to Manufacturing Tolerances and Change Without Notice

Please Check ✓	Item No.	Part Number	Item I.D.
	2	59896-001	P886-E2

ENGINEERING SPECIFICATION: ZURN Z886-E2

2" [51mm] No-Hub End Outlet for 6" [152mm] Wide Trench Drainage System. Outlet is made of 1/4" [6mm] thick HDPE and is designed for No-Hub applications using an adapter (Supplied by other).

****Unit to be cut in field per channel depth.**



* Regularly furnished unless otherwise specified.



Z886
END/BOTTOM OUTLETS

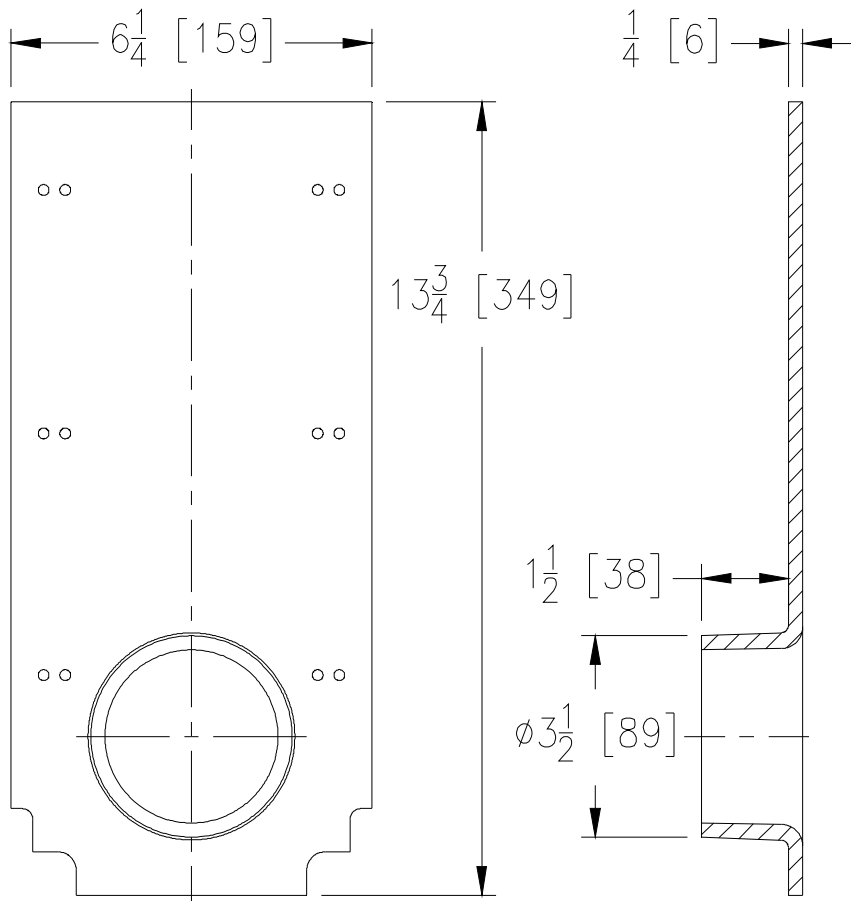
Dimensional Data (inches and [mm]) are Subject to Manufacturing Tolerances and Change Without Notice

Please Check ✓	Item No.	Part Number	Item I.D.
	3	59896-002	P886-E3

ENGINEERING SPECIFICATION: ZURN Z886-E3

3" [76mm] No-Hub End Outlet for 6" [152mm] wide Trench Drainage System. Outlet is made of 1/4" [6mm] thick HDPE and is designed for No-Hub applications using an adapter (Supplied by other).

****Unit to be cut in field per channel depth.**



* Regularly furnished unless otherwise specified.



Z886
END/BOTTOM OUTLETS

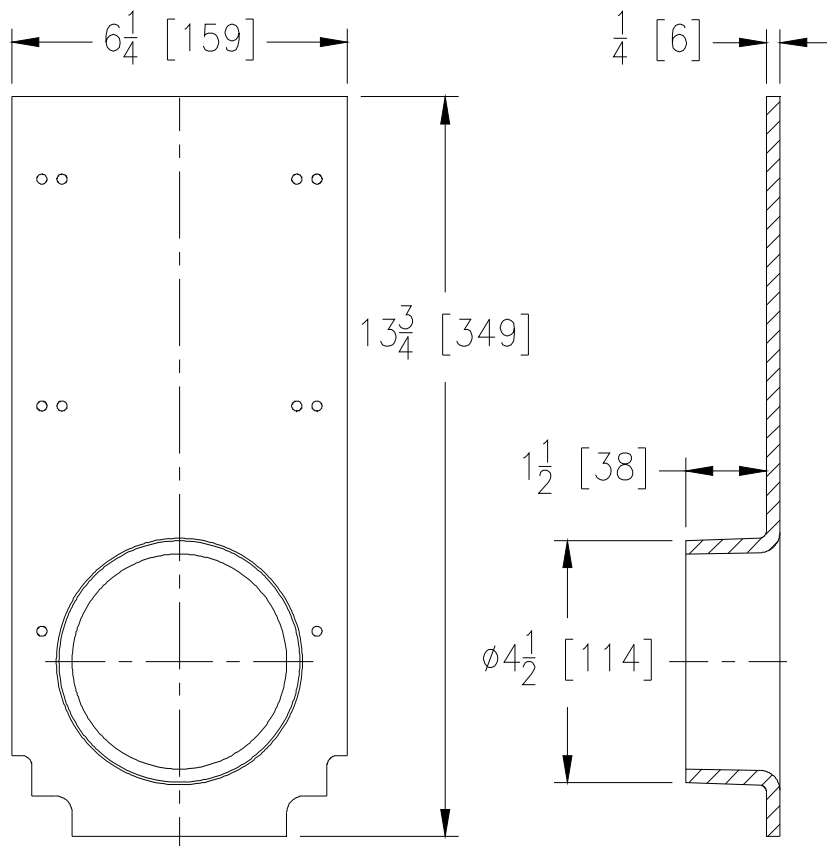
Dimensional Data (inches and [mm]) are Subject to Manufacturing Tolerances and Change Without Notice

Please Check ✓	Item No.	Part Number	Item I.D.
	4	59896-003	P886-E4

ENGINEERING SPECIFICATION: ZURN Z886-E4

4" [102mm] No-Hub End Outlet for 6" [152mm] Wide Trench Drainage System. Outlet is made of 1/4" [6mm] thick HDPE and is designed for No-Hub applications using an adapter (Supplied by other).

****Unit to be cut in field per channel depth.**



* Regularly furnished unless otherwise specified.



Z886
END/BOTTOM OUTLETS

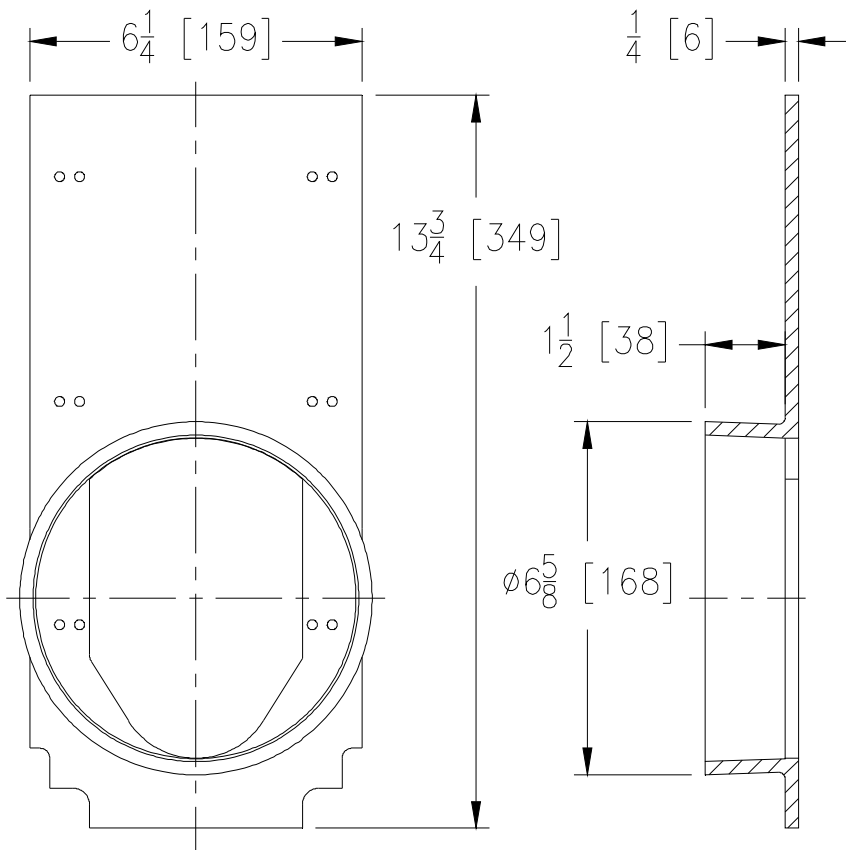
Dimensional Data (inches and [mm]) are Subject to Manufacturing Tolerances and Change Without Notice

Please Check ✓	Item No.	Part Number	Item I.D.
	5	60721-001	P886-E6

ENGINEERING SPECIFICATION: ZURN Z886-E6

6" [152mm] No-Hub End Outlet for 6" [152mm] wide Trench Drainage System. Outlet is made of 1/4" [6mm] thick HDPE and is designed for No-Hub applications using an adapter (Supplied by other).

****Unit to be cut in field per channel depth.**



* Regularly furnished unless otherwise specified.



Z886
END/BOTTOM OUTLETS

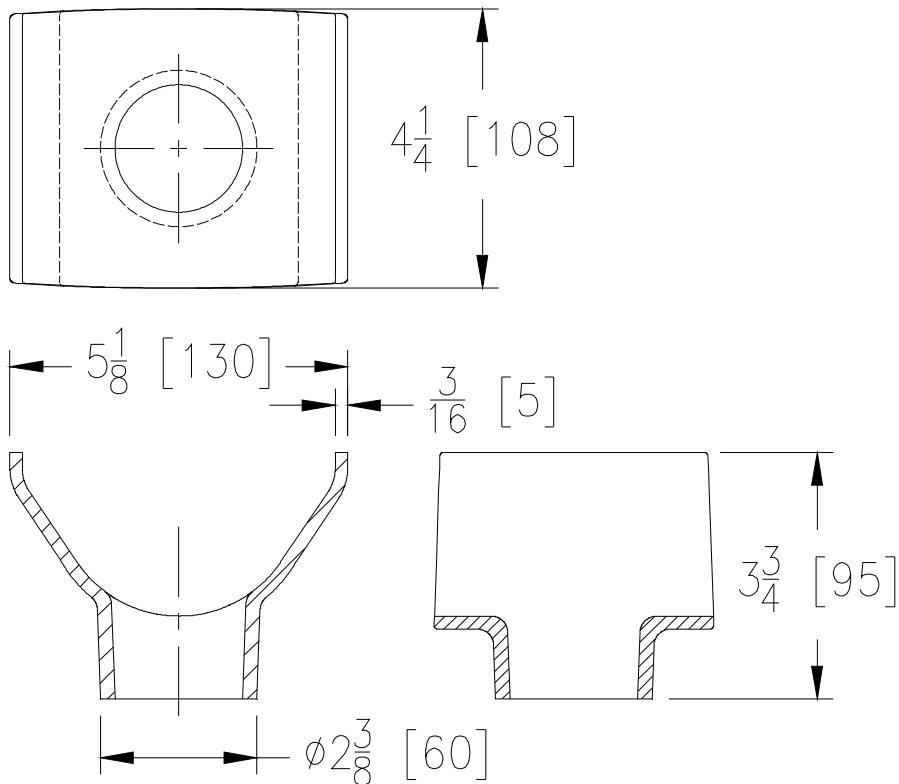
Dimensional Data (inches and [mm]) are Subject to Manufacturing Tolerances and Change Without Notice

Please Check ✓	Item No.	Part Number	Item I.D.
	7	59894-001	P886-U2

ENGINEERING SPECIFICATION: ZURN Z886-U2

2" [51mm] No-Hub Bottom Outlet for 6" [152mm] wide Trench Drainage System. Outlet is made of 3/16" [5mm] thick HDPE and is designed for No-Hub applications using an adapter (Supplied by other).

****Channel to be cut in field to inside diameter of outlet.**



* Regularly furnished unless otherwise specified.



Z886
END/BOTTOM OUTLETS

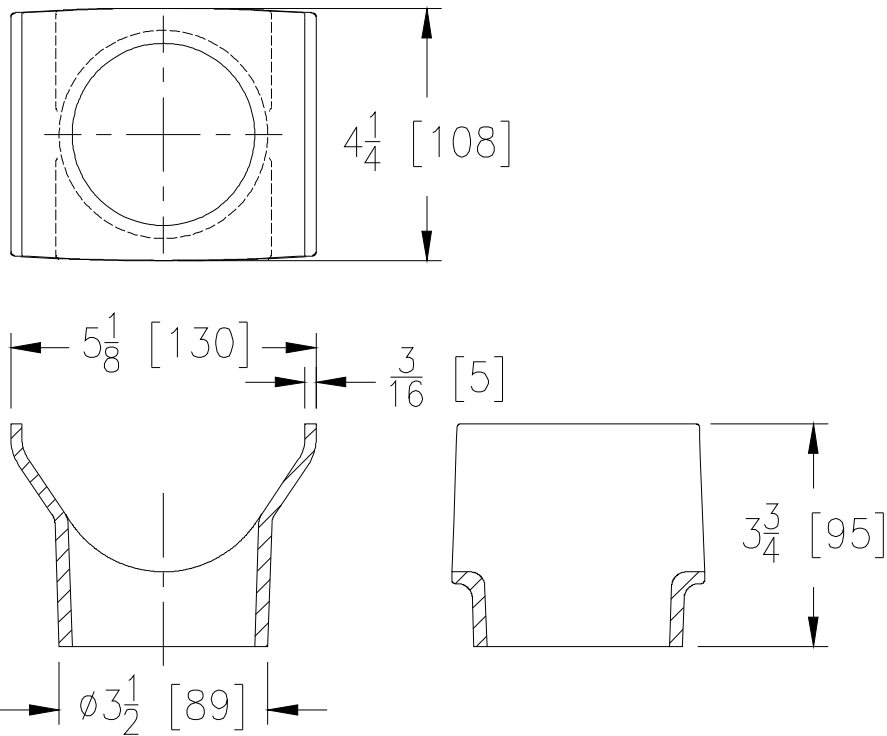
Dimensional Data (inches and [mm]) are Subject to Manufacturing Tolerances and Change Without Notice

Please Check	Item No.	Part Number	Item I.D.
✓	7	59894-002	P886-U3

ENGINEERING SPECIFICATION: ZURN Z886-U3

3" [76mm] No-Hub Bottom Outlet for 6" [152mm] wide Trench Drainage System. Outlet is made of 3/16" [5mm] thick HDPE and is designed for No-Hub applications using an adapter (Supplied by other).

****Channel to be cut in field to inside diameter of outlet.**



* Regularly furnished unless otherwise specified.



Z886
END/BOTTOM OUTLETS

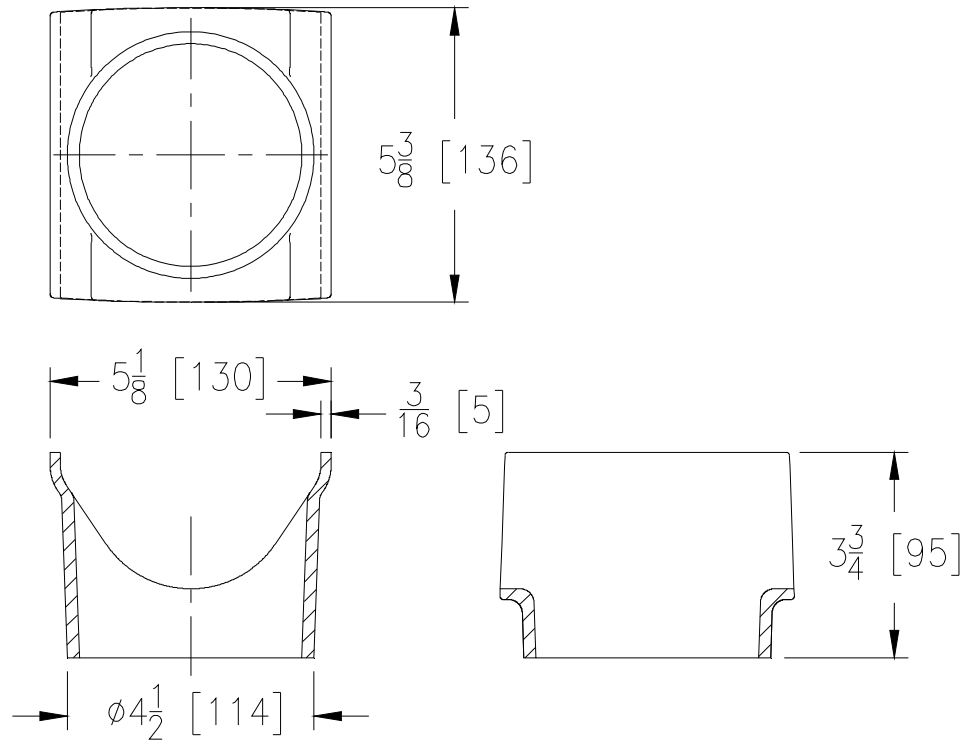
Dimensional Data (inches and [mm]) are Subject to Manufacturing Tolerances and Change Without Notice

Please Check ✓	Item No.	Part Number	Item I.D.
	7	59894-003	P886-U4

ENGINEERING SPECIFICATION: ZURN Z886-U4

4" [102mm] No-Hub Bottom Outlet for 6" [152mm] wide Trench Drainage System. Outlet is made of 3/16" [5mm] thick HDPE and is designed for No-Hub applications using an adapter (Supplied by other).

****Channel to be cut in field to inside diameter of outlet.**



* Regularly furnished unless otherwise specified.



Z886
END/BOTTOM OUTLETS

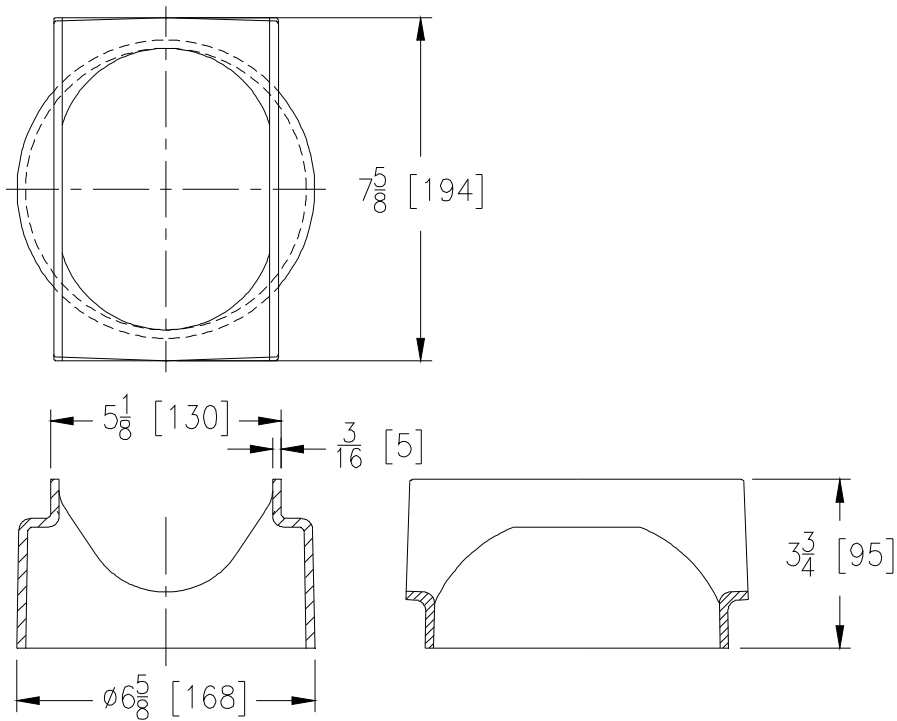
Dimensional Data (inches and [mm]) are Subject to Manufacturing Tolerances and Change Without Notice

Please Check	Item No.	Part Number	Item I.D.
✓	7	61021-001	P886-U6

ENGINEERING SPECIFICATION: ZURN Z886-U6

6" [152mm] No-Hub Bottom Outlet for 6" [152mm] wide Trench Drainage System. Outlet is made of 3/16" [5mm] thick HDPE and is designed for No-Hub applications using an adapter (Supplied by other).

****Channel to be cut in field to inside diameter of outlet.**



* Regularly furnished unless otherwise specified.